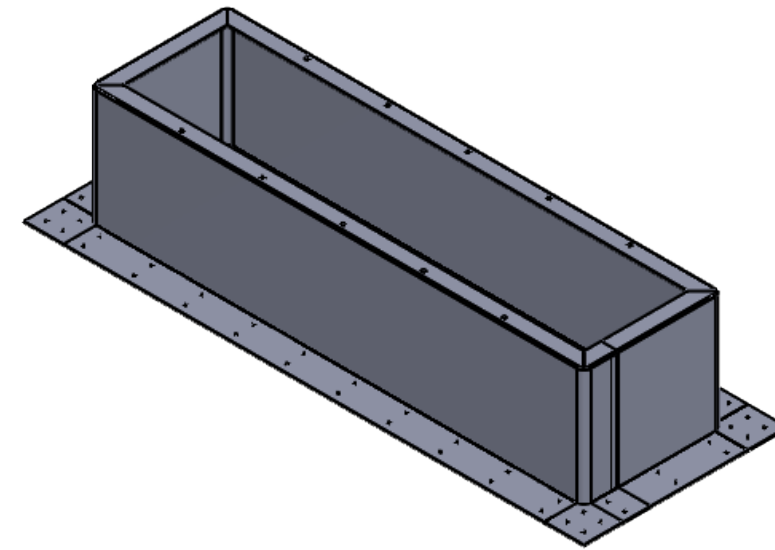
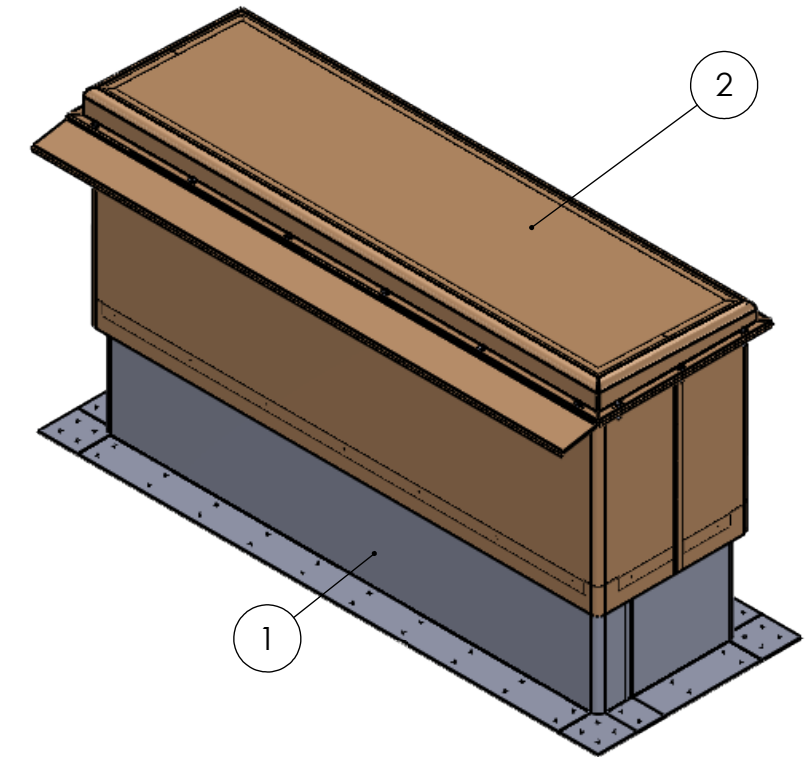
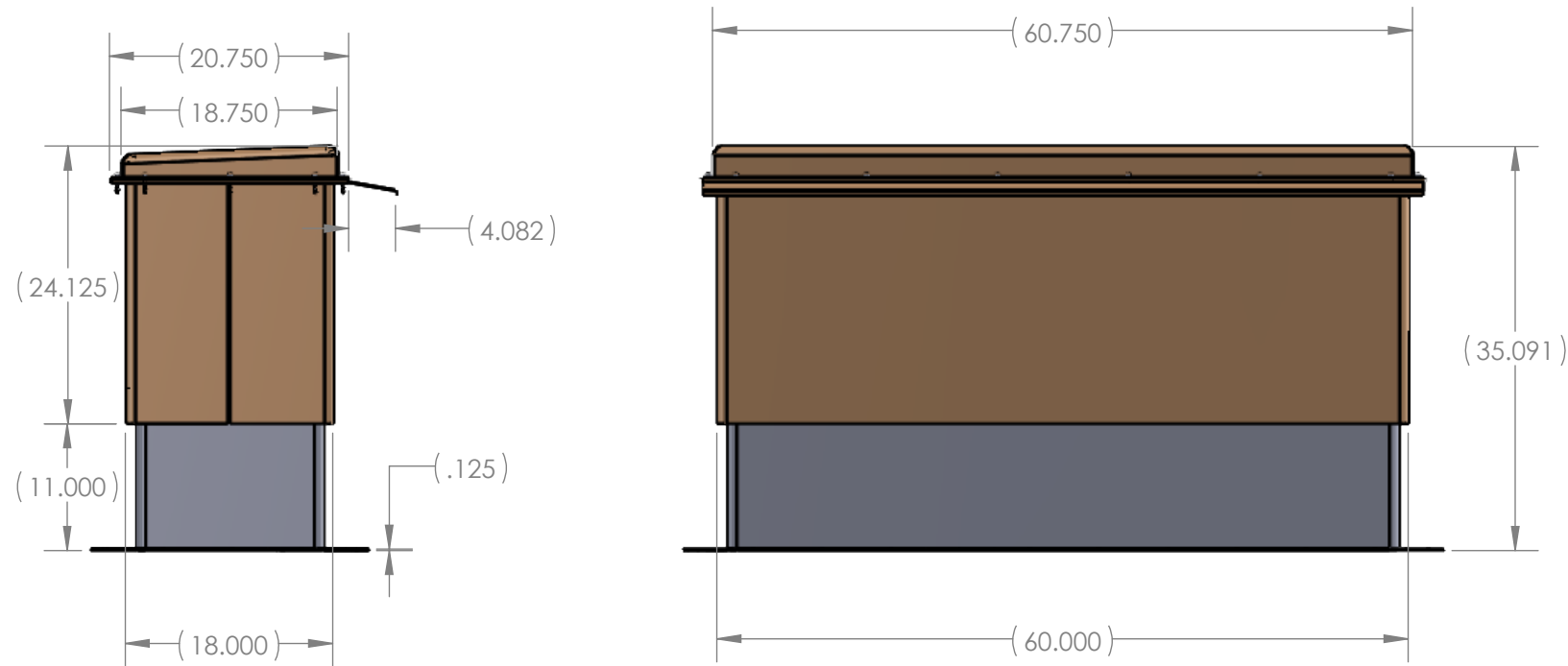


GENERAL NOTES:

1. INTERIORS FOR BOTH HOUSING AND CURB TO BE FULLY INSULATED WITH STANDARD 1" THICK MATERIAL.
2. FINISH: HOUSING WILL HAVE STANDARD POWER COATED FINISH 2 MIL THICKNESS AND CURB TO BE UNFINISHED.

ITEM NO.	DESCRIPTION	PART NUMBER	MATERIAL	QTY.
1	DATA CENTER CURB	DH-165814	.125" THICK ALUMINUM	1
2	DATA CENTER HOUSING	DH-186024	.125" THICK ALUMINUM	1



NAME	DATE	PROJECT TITLE:
DRAWN RS	4/25/17	DATA CENTER HOUSING AND CURB ASSEMBLY
CHECKED		DESCRIPTION:
Q.A.		HOUSING DH-186024 CURB DH-165814
UNLESS OTHERWISE SPECIFIED <small>INTERPRET DRAWING PER ASME Y14.5M-1994 DIMENSIONS ARE IN INCHES</small>		SIZE
TOLERANCE ARE:	FILLET	CUSTOMER NAME:
DECIMALS .003-.010	63/	ALTA PRODUCTS, LLC
.XX ± .03	ANGLES ± 2°	REV
.XXX ± .010	BREAK ALL SHARP EDGES	0
DO NOT SCALE DRAWING	.003-.010	PART NO. TBD
		WEIGHT N/A
		SHEET 1 OF 1