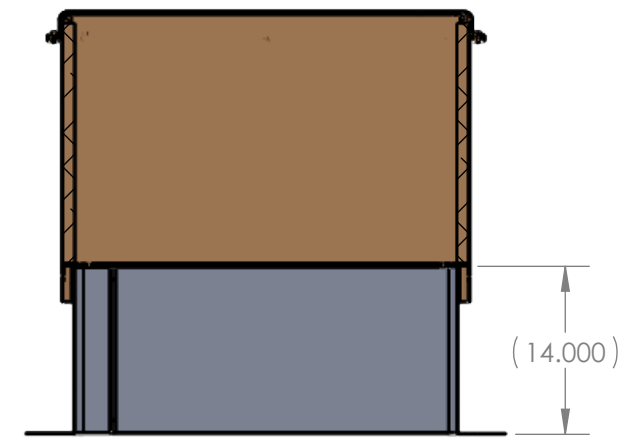
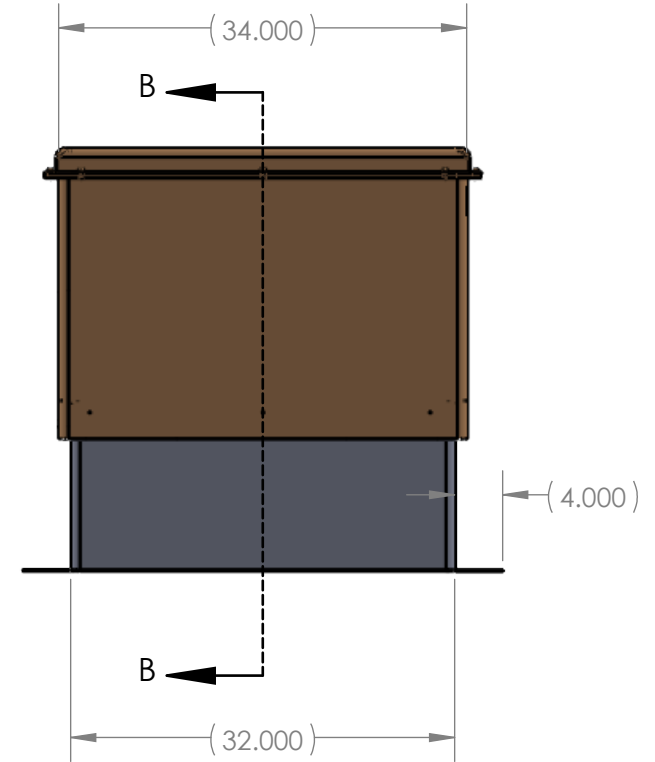
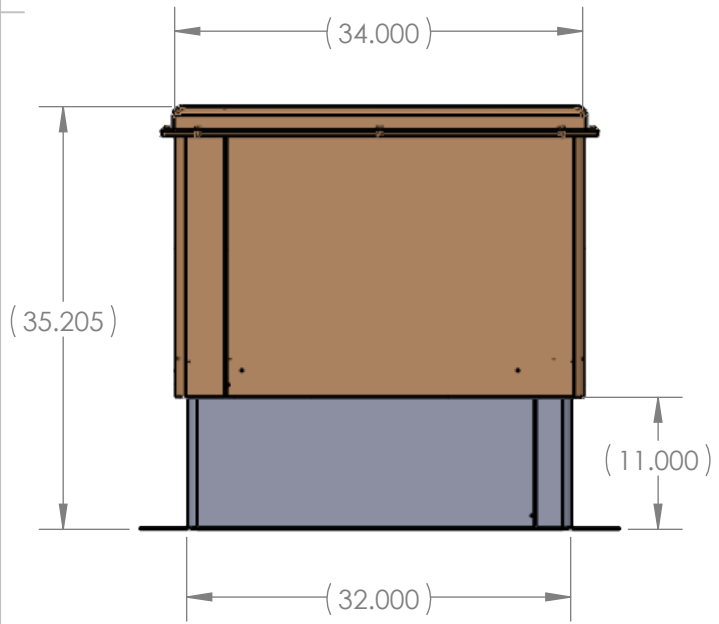
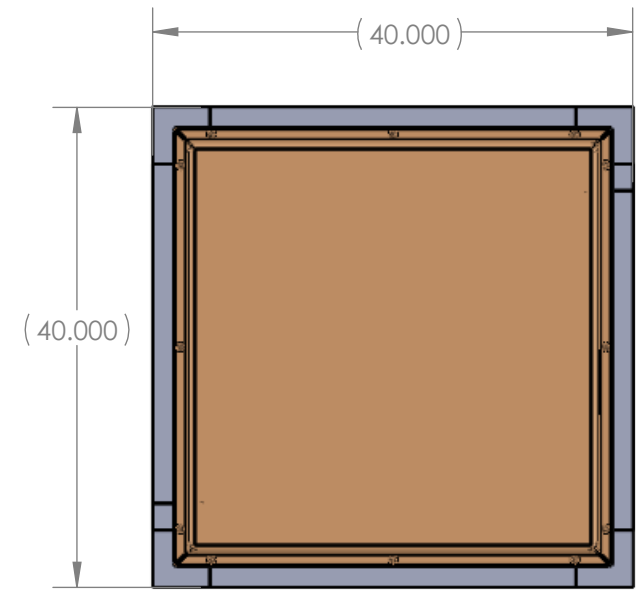
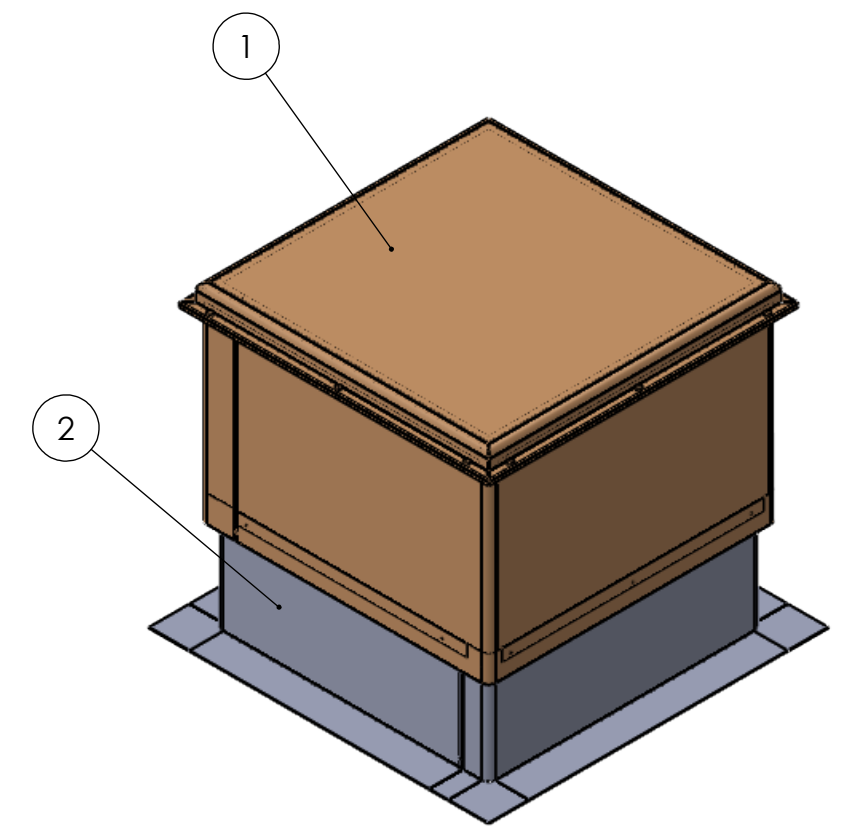


REVISIONS				
ZONE	REV.	DESCRIPTION	DATE	APPROVED



SECTION B-B
SCALE 1 : 16



ITEM NO.	NOMENCLATURE	PART NUMBER	QTY.
1	LARGE PIPE HOUSING	AL-343424	1
2	LARGE CURB 14" TALL	AL-3232	1

DRAWN	RS	DATE	3/7/17	PROJECT TITLE:		LARGE PIPE CHASE HOUSING & CURB 14" TALL	
CHECKED				DESCRIPTION:			
Q.A.				LARGE PIPE CHASE HOUSING & CURB 14" TALL			
UNLESS OTHERWISE SPECIFIED INTERPRET DRAWING PER ASME Y14.5M-1994 DIMENSIONS ARE IN INCHES				SIZE	CUSTOMER NAME:	REV	
TOLERANCE ARE:	FILLETS	63/		B	ALTA PRODUCTS, LLC	0	
DECIMALS	.003-.010	✓		PART NO.	WEIGHT	SHEET 1 OF 1	
.XX ± .03	ANGLES	± 2°	BREAK ALL SHARP EDGES	TBD	N/A		
.XXX ± .010							
DO NOT SCALE DRAWING							