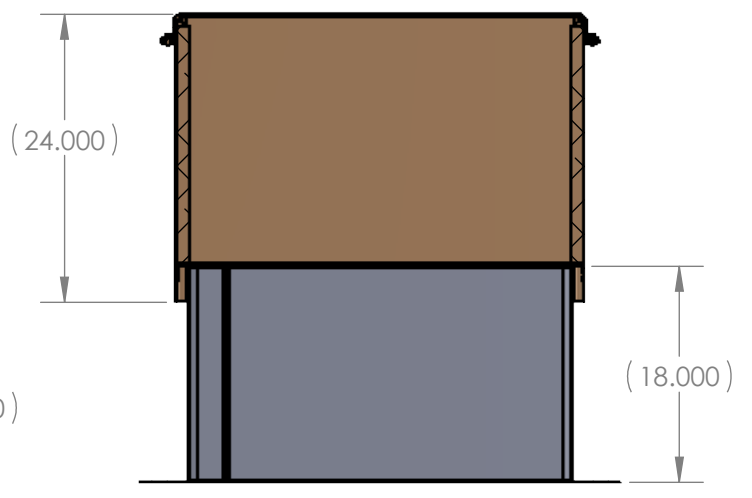
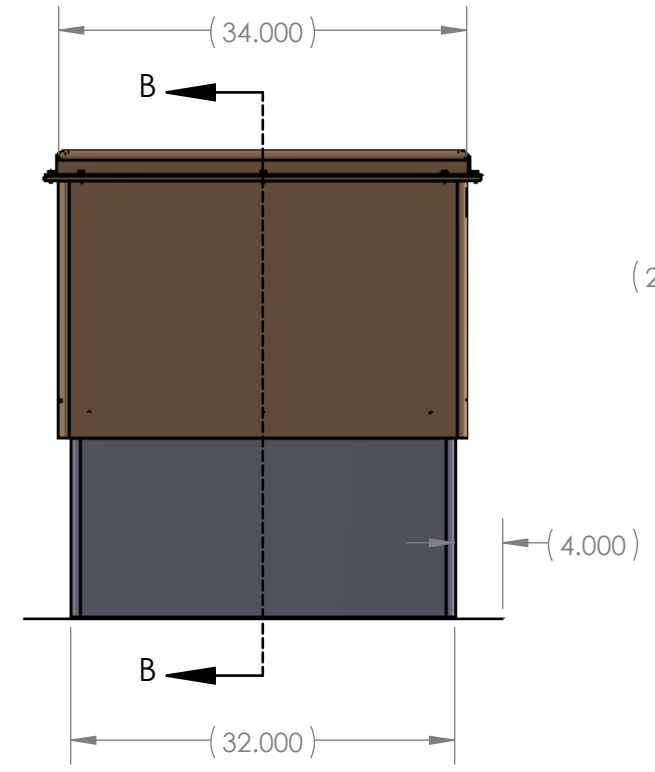
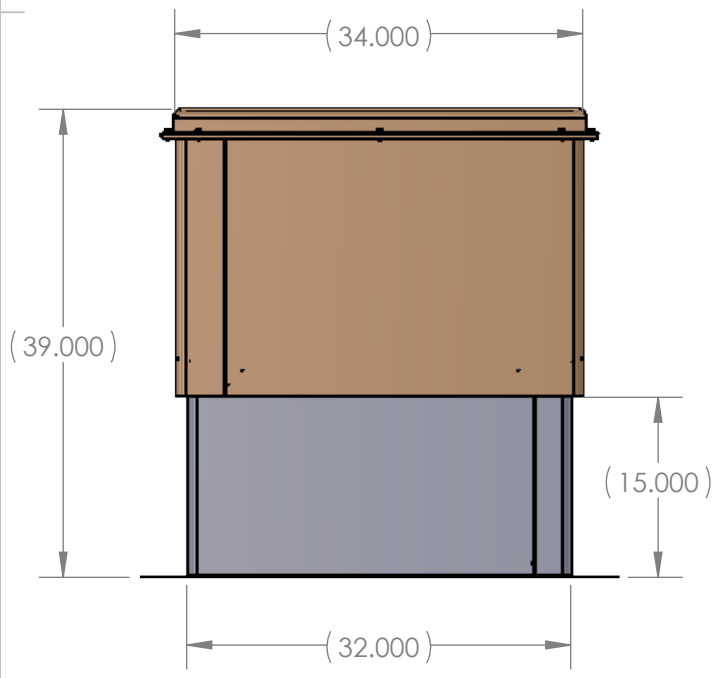
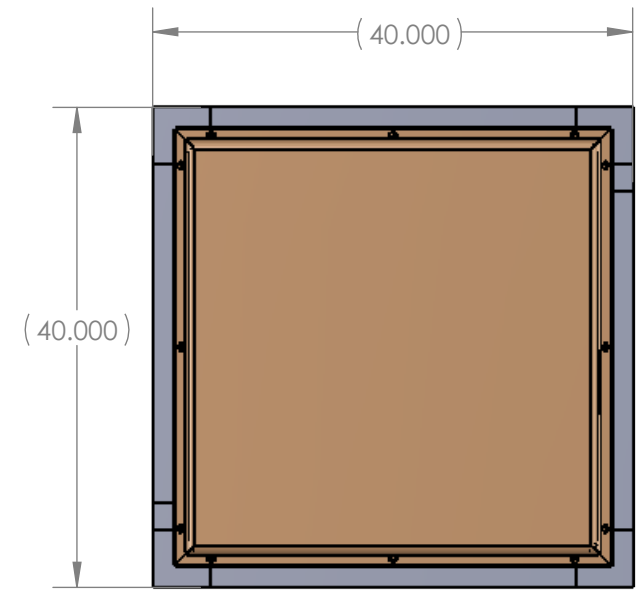
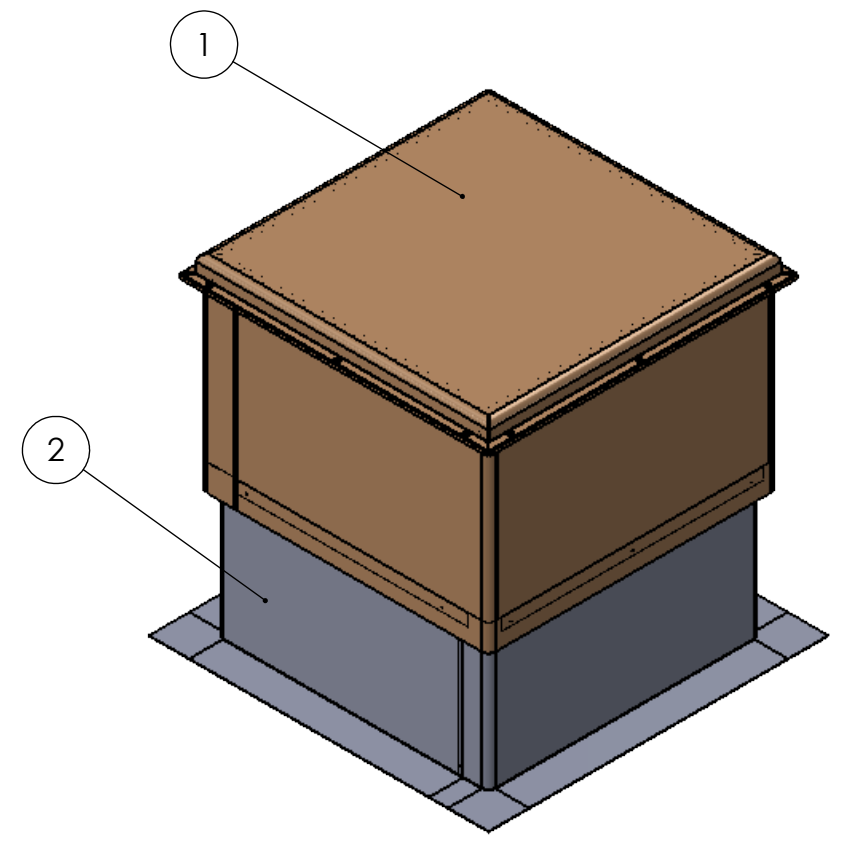


REVISIONS				
ZONE	REV.	DESCRIPTION	DATE	APPROVED



SECTION B-B
SCALE 1 : 16



ITEM NO.	NOMENCLATURE	PART NUMBER	QTY.
1	LARGE PIPE HOUSING	AL-343424	1
2	LARGE CURB 18" TALL	ALTC-L18	1

DRAWN	RS	DATE	3/7/17	PROJECT TITLE:		LARGE PIPE CHASE HOUSING & CURB 18" TALL	
CHECKED				DESCRIPTION:		LARGE PIPE CHASE HOUSING & CURB 18" TALL	
Q.A.				UNLESS OTHERWISE SPECIFIED		INTERPRET DRAWING PER ASME Y14.5M-1994	
				DIMENSIONS ARE IN INCHES			
TOLERANCE ARE:		FILLETS	.003-.010	63/	SIZE	CUSTOMER NAME:	REV
.XX ± .03	ANGLES	BREAK ALL SHARP EDGES	± 2"		B	ALTA PRODUCTS, LLC	0
DO NOT SCALE DRAWING				PART NO. TBD		WEIGHT N/A	SHEET 1 OF 1