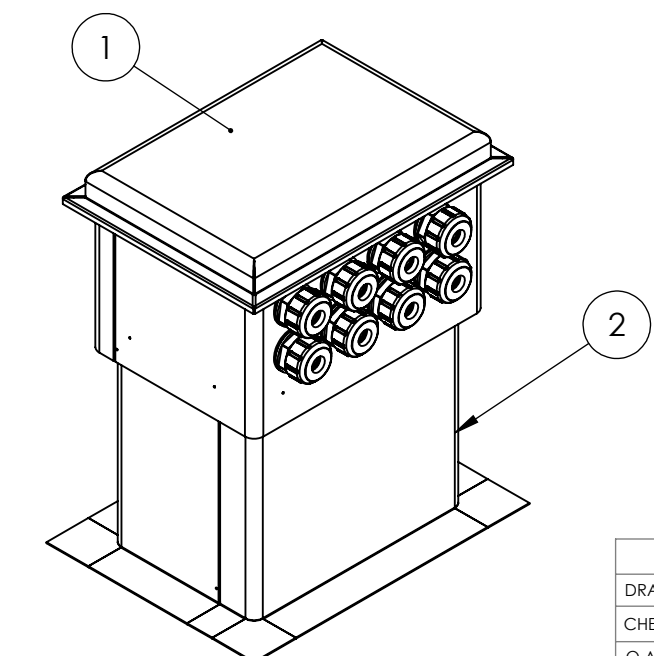
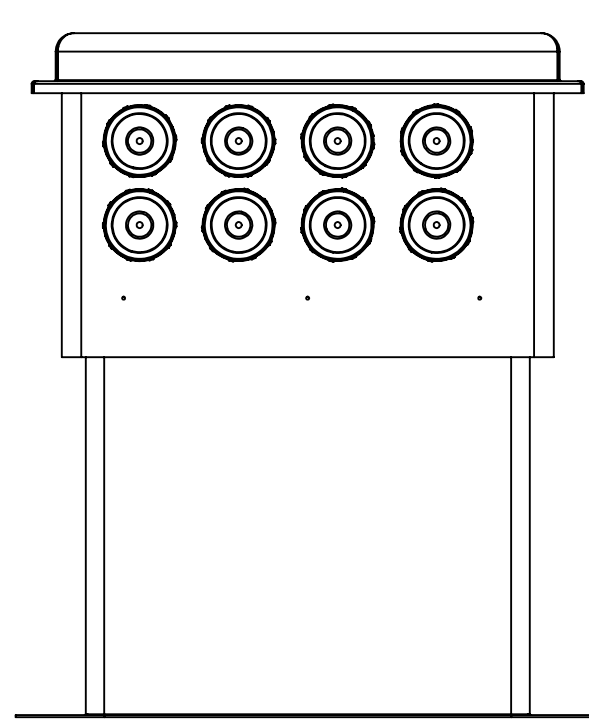
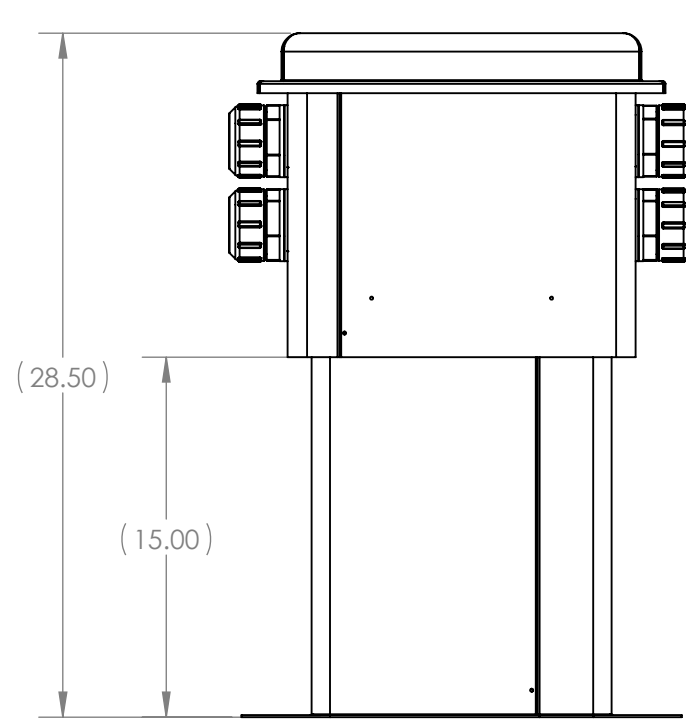
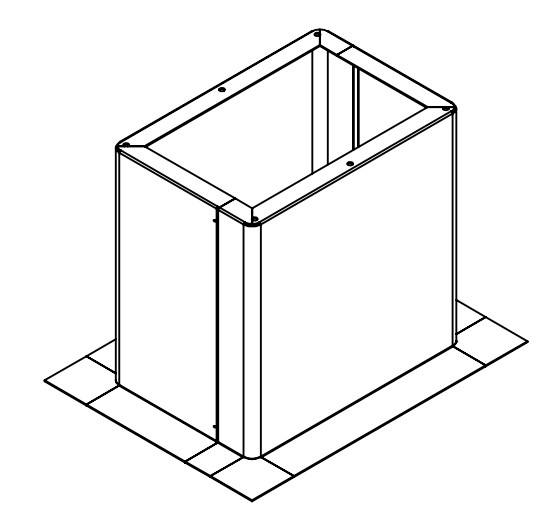
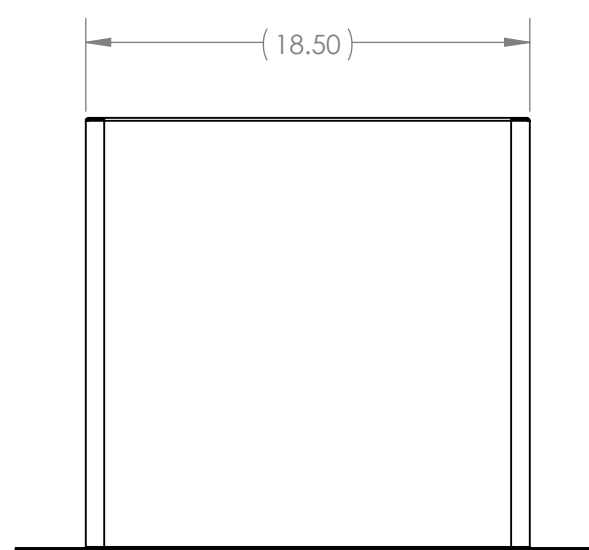
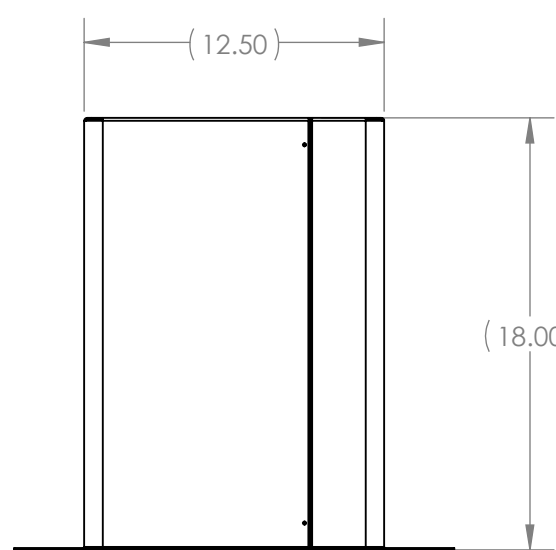
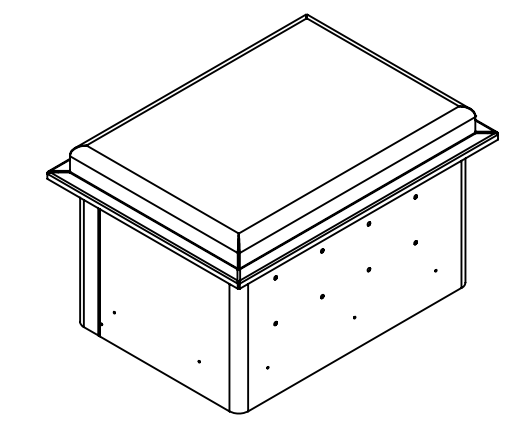
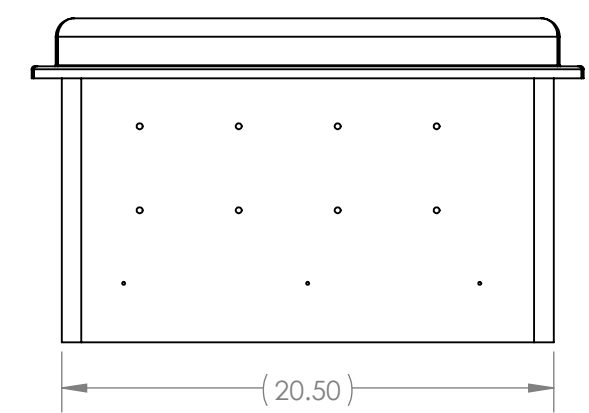
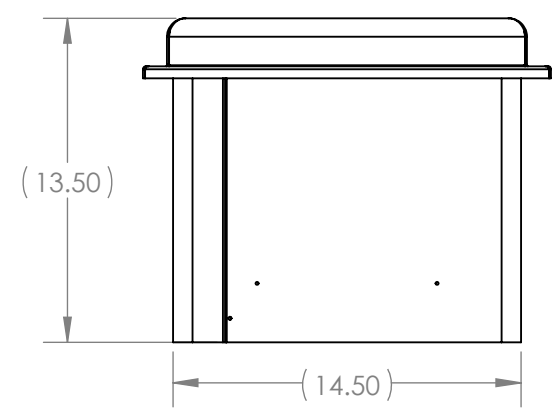


REVISIONS				
ZONE	REV.	DESCRIPTION	DATE	APPROVED



ITEM NO.	NOMENCLATURE	PART NUMBER	QTY.
1	MEDIUM HOUSING	AL-201412	1
2	MEDIUM CURB 18" TALL	ALTC-M18	1
3	SIGRIST EXIT SEAL	N/A	16

DRAWN	RS	5/18/17	PROJECT TITLE: MEDIUM PIPE CHASE HOUSING & CURB	
CHECKED			DESCRIPTION: MEDIUM PIPE CHASE HOUSING & CURB 18" TALL	
Q.A.			SIZE	CUSTOMER NAME: ALTA PRODUCTS, LLC
UNLESS OTHERWISE SPECIFIED <small>INTERPRET DRAWING PER ASME Y14.5M-1994</small> <small>DIMENSIONS ARE IN INCHES</small>			REV	0
<small>TOLERANCE ARE: FILLETS .003-.010 ✓ 63/</small> <small>.XX ± .03 ANGLES ± 2° BREAK ALL SHARP EDGES</small> <small>.XXX ± .010 ± 2°</small> <small>DO NOT SCALE DRAWING</small>			PART NO. TBD	WEIGHT N/A
			SHEET 1 OF 1	

ENGINEERING DRAWING