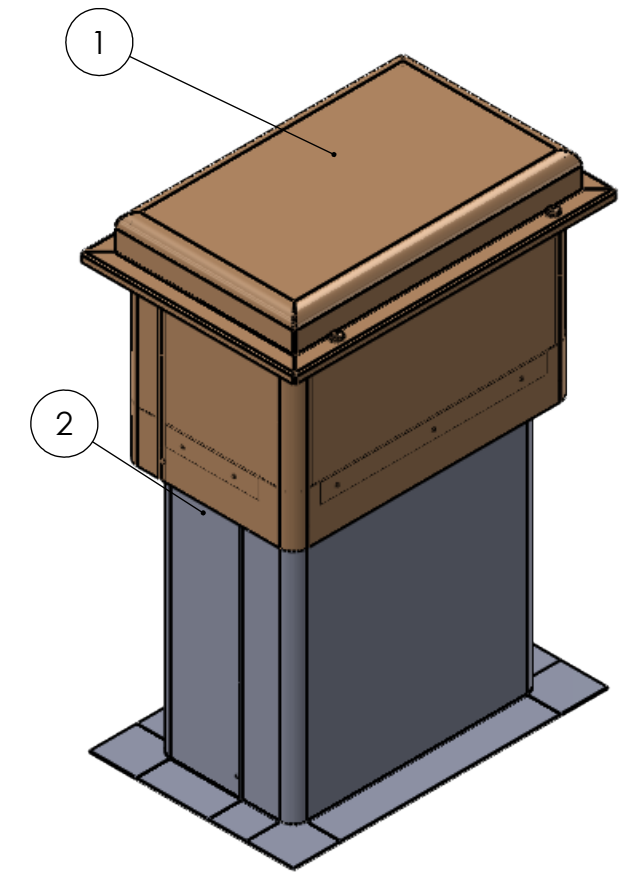
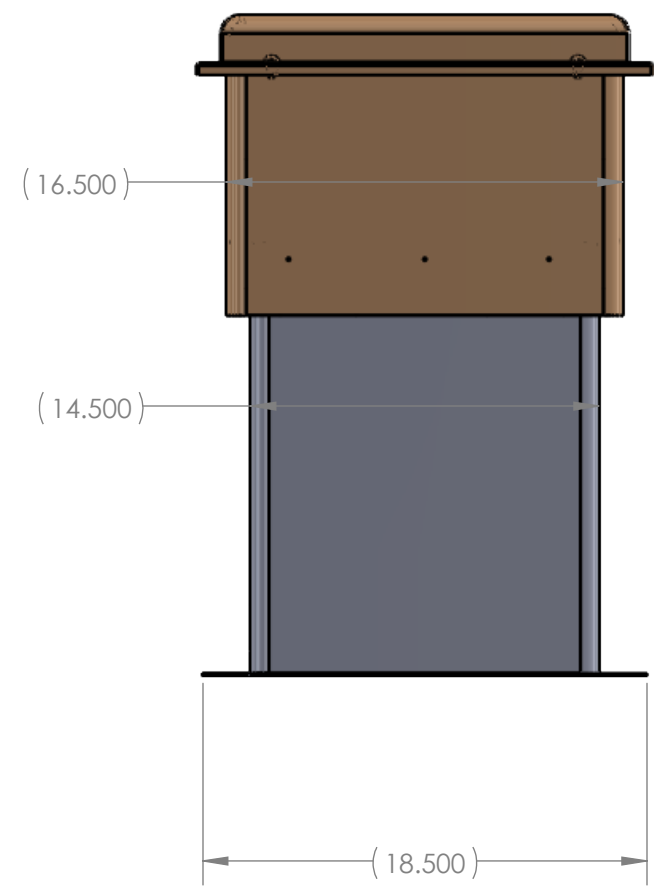
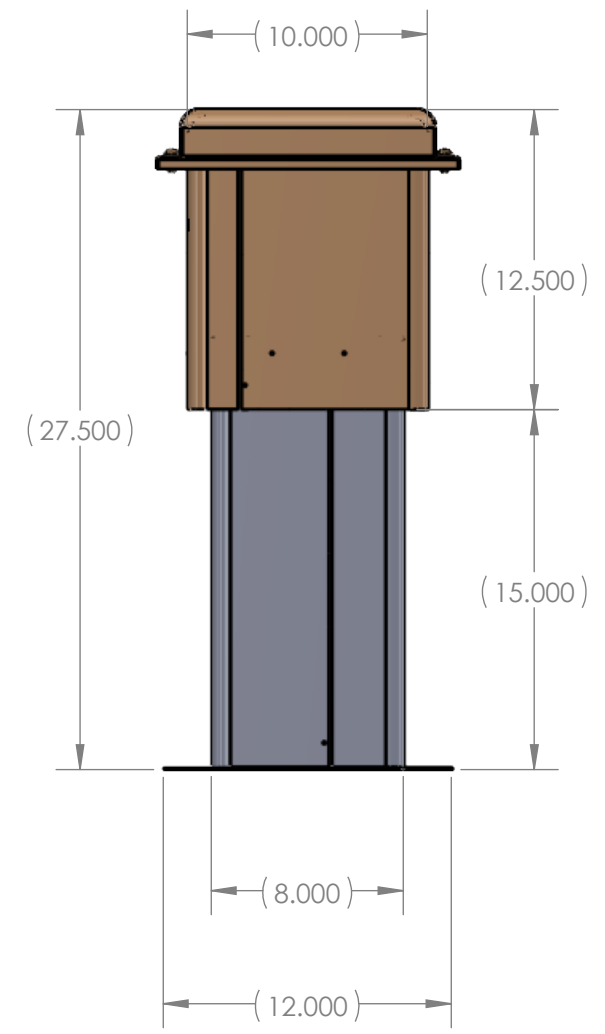
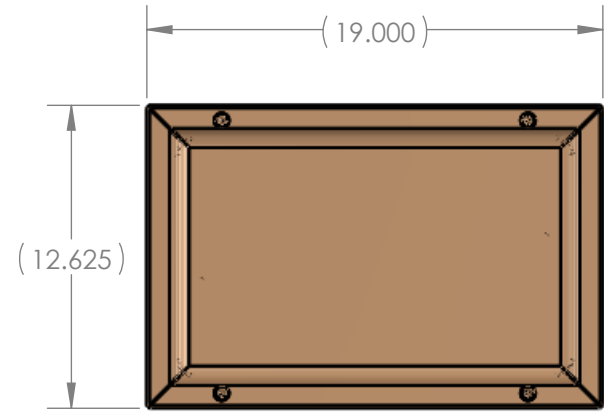


REVISIONS				
ZONE	REV.	DESCRIPTION	DATE	APPROVED



ITEM NO.	PART NUMBER	NOMENCLATURE	QTY.
1	AL-161010	SMALL HOUSING	1
2	ALTC-S18	SMALL 18" TALL CURB	1

DRAWN	RS	4/24/17	PROJECT TITLE: SMALL PIPE CHASE HOUSING & CURB		
CHECKED			DESCRIPTION: SMALL PIPE CHASE HOUSING & CURB 18" TALL		
Q.A.			UNLESS OTHERWISE SPECIFIED INTERPRET DRAWING PER ASME Y14.5M-1994 DIMENSIONS ARE IN INCHES		
TOLERANCE ARE: FILLETS .003-.010 ✓ .XX ± .03 ANGLES ± 2° BREAK ALL SHARP EDGES DO NOT SCALE DRAWING .003-.010			SIZE B	CUSTOMER NAME: ALTA PRODUCTS, LLC	REV 0
			PART NO. TBD	WEIGHT N/A	SHEET 1 OF 1

ENGINEERING DRAWING