

6

5

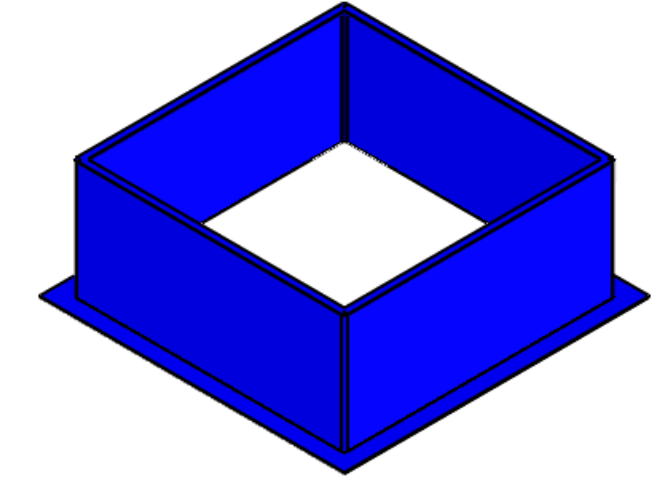
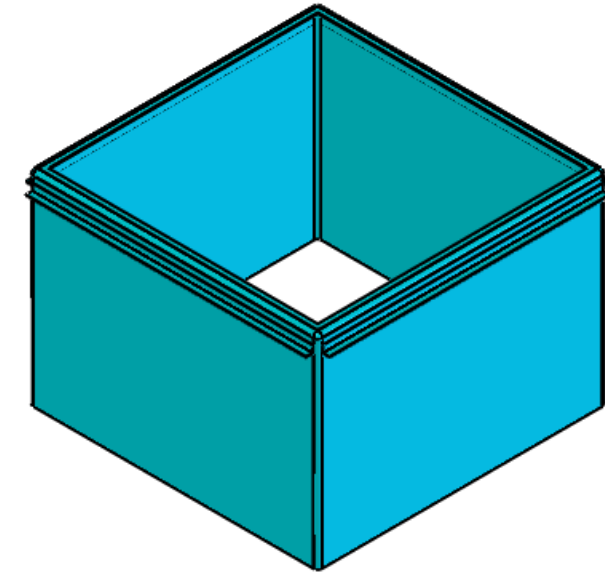
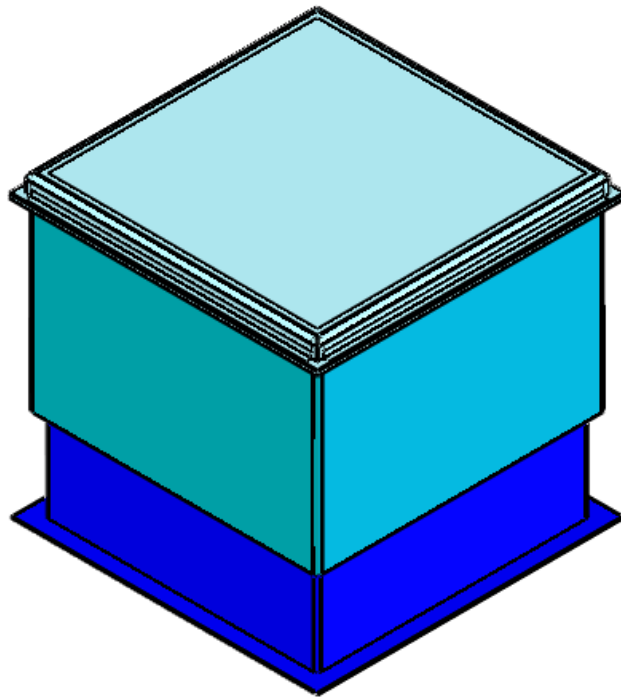
4

3

2

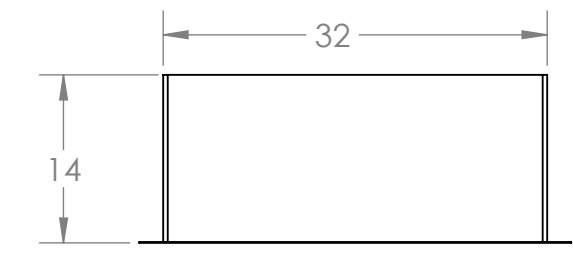
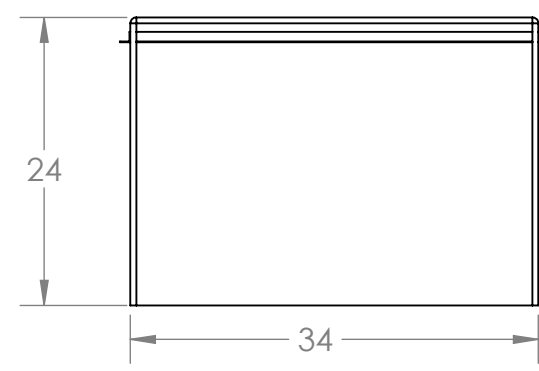
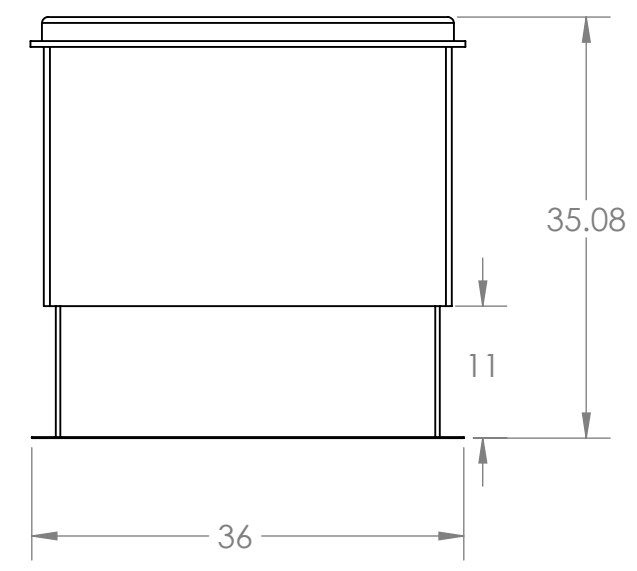
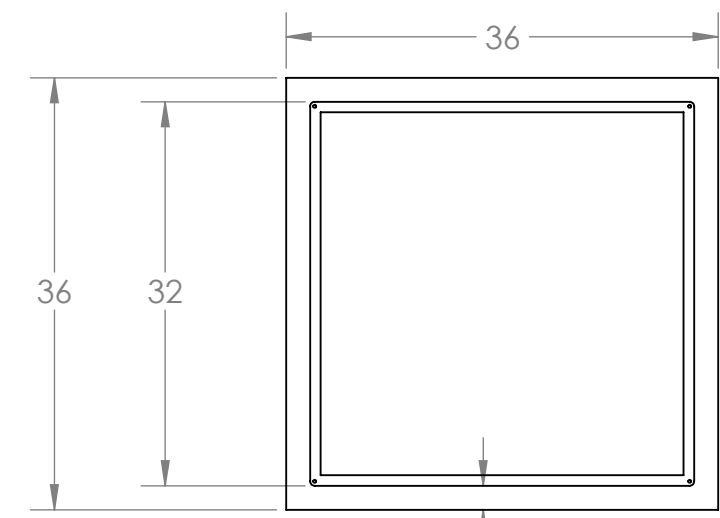
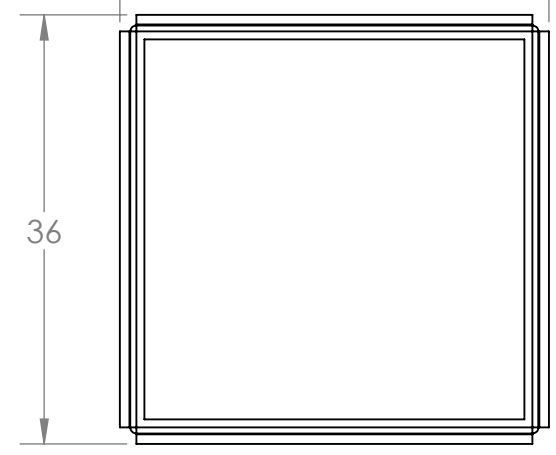
1

REVISIONS				
ZONE	REV.	DESCRIPTION	DATE	APPROVED



LARGE: AL-3232C  
(32" X 32" X 14") TALL

LARGE: AL-343424  
(34" X 34" X 24") TALL



NAME	DATE	PROJECT:	SIGRIST PIPE CHASE HOUSING	
DRAWN		DESCRIPTION:	AL-343424 LARGE - HOUSING AL-3232C LARGE - CURB (14" TALL)	
CHECKED		<small>UNLESS OTHERWISE SPECIFIED ALL DIMENSIONS ARE IN INCHES INTERPRET DRAWINGS PER ASME 14.5-2009</small>		
APPROVED				
∠ ±1°	.X ±.1	.XX ±.03	.XXX ±.005	63/✓
THIRD ANGLE PROJECTION		SIZE	DWG. NO.	REV.
		SCALE	WEIGHT:	SHEET 1 OF 1

6

5

4

3

2

1

E  
D  
C  
B  
A

E  
D  
C  
B  
A