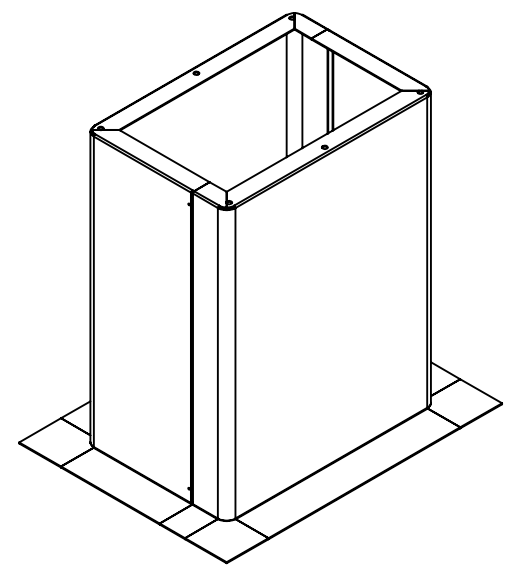
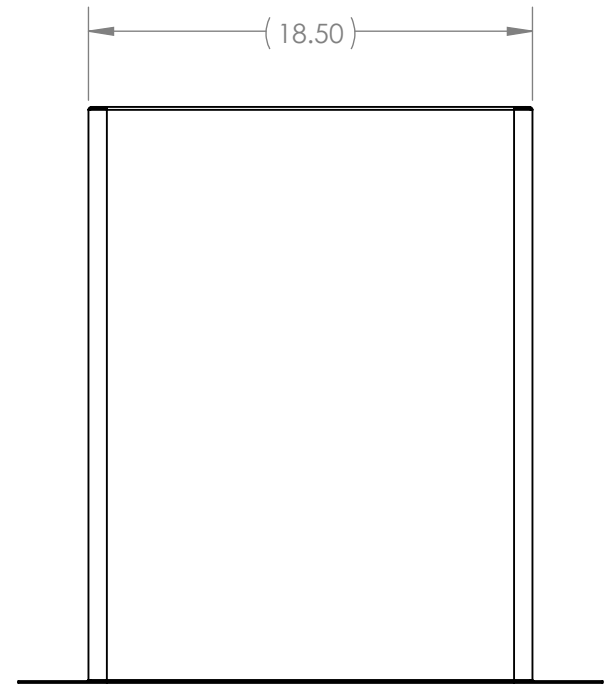
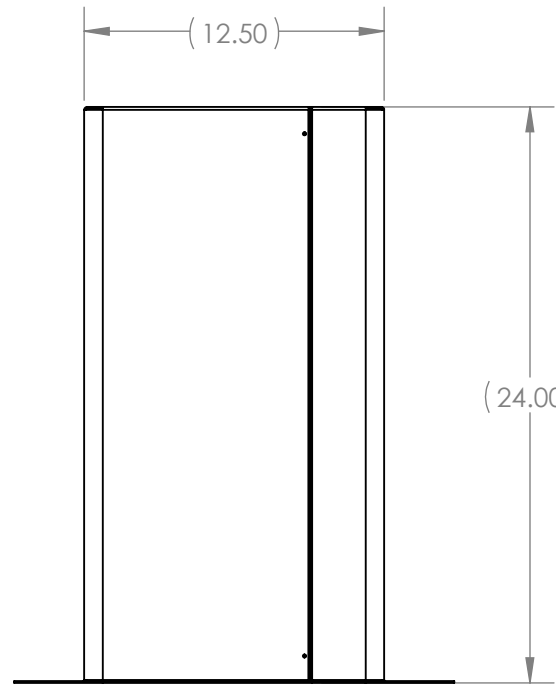
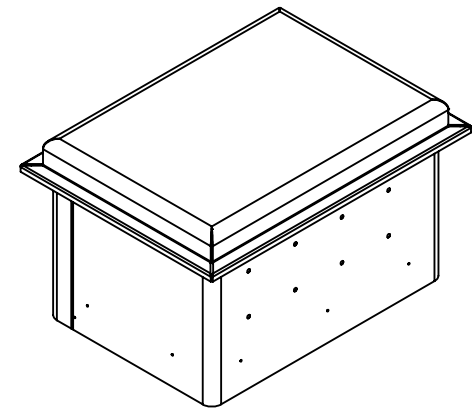
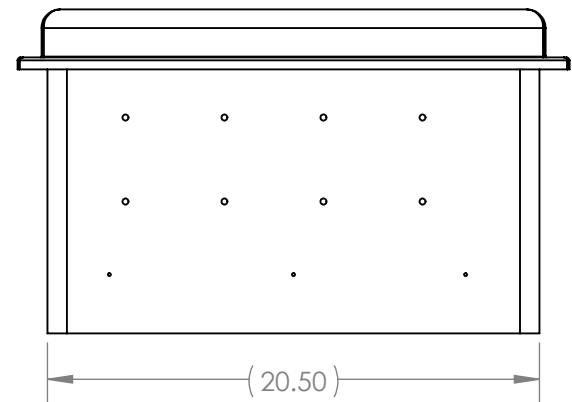
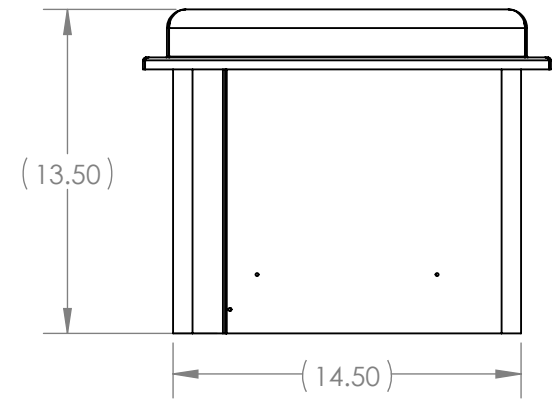
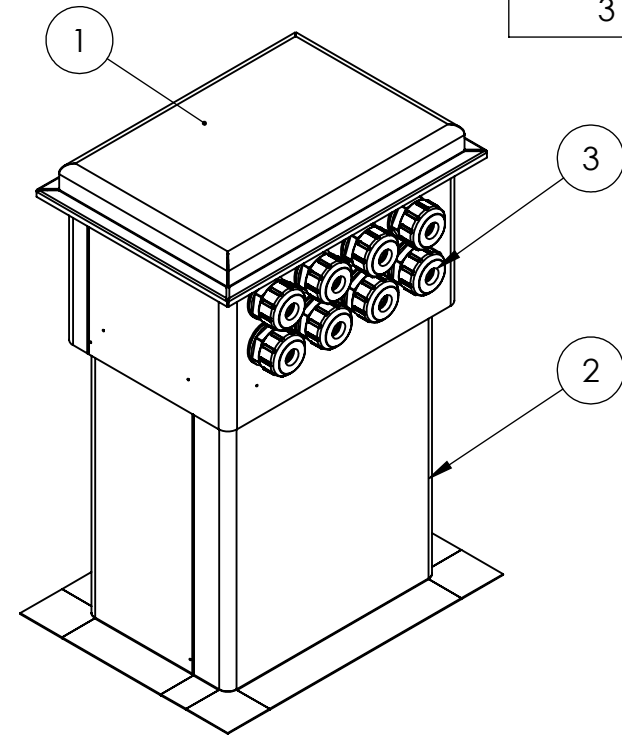
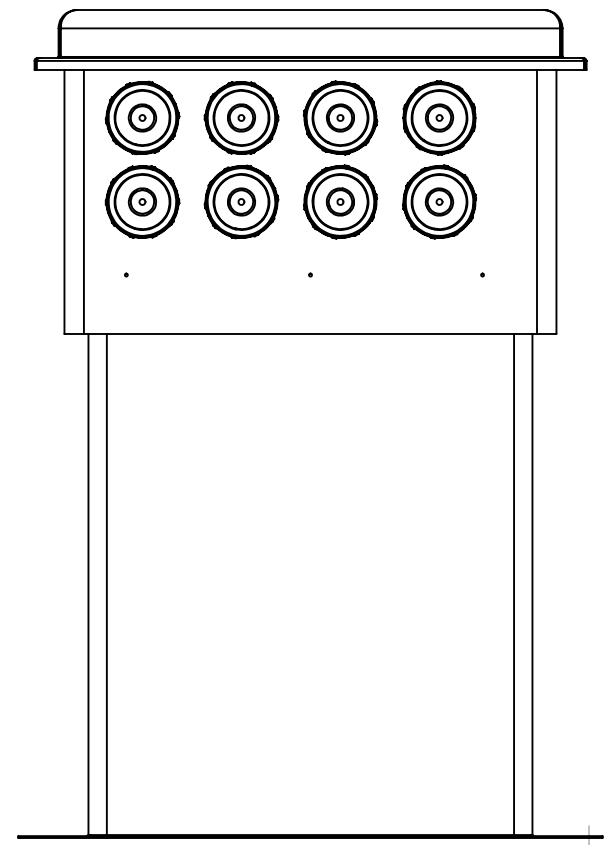
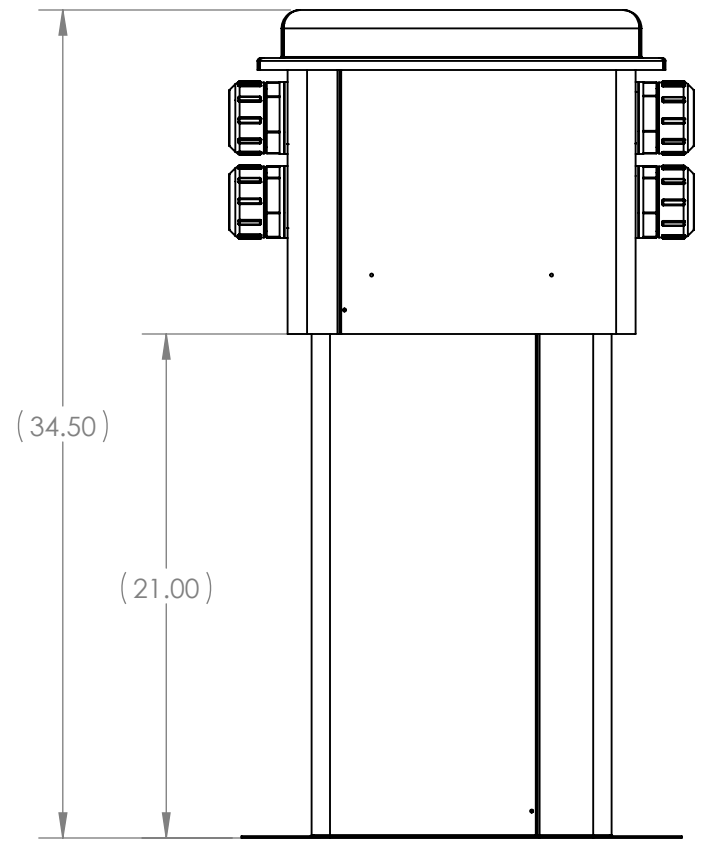


| REVISIONS | | | | |
|-----------|------|-------------|------|----------|
| ZONE | REV. | DESCRIPTION | DATE | APPROVED |
| | | | | |



| ITEM NO. | NOMENCLATURE | PART NUMBER | QTY. |
|----------|----------------------|-------------|------|
| 1 | MEDIUM HOUSING | AL-201412 | 1 |
| 2 | MEDIUM CURB 24" TALL | ALTC-M24 | 1 |
| 3 | SIGRIST EXIT SEAL | N/A | 16 |



| | | | | |
|--|-----------|-----------------------|---|--------------------|
| | NAME | DATE | PROJECT TITLE: | |
| DRAWN | RS | 5/18/17 | MEDIUM PIPE CHASE HOUSING & CURB | |
| CHECKED | | | DESCRIPTION: | |
| Q.A. | | | MEDIUM PIPE CHASE HOUSING & CURB 24" TALL | |
| UNLESS OTHERWISE SPECIFIED | | | SIZE | CUSTOMER NAME: |
| INTERPRET DRAWING PER ASME Y14.5M-1994 | | | B | ALTA PRODUCTS, LLC |
| DIMENSIONS ARE IN INCHES | | | REV | 0 |
| TOLERANCE ARE: | FILLETS | 63/ | PART NO. | WEIGHT |
| DECIMALS | .003-.010 | ✓ | TBD | N/A |
| .XX ± .03 | ANGLES | BREAK ALL SHARP EDGES | SHEET 1 OF 1 | |
| .XXX ± .010 | ± 2° | | RATHA DESIGNS 2017 | |
| DO NOT SCALE DRAWING | .003-.010 | | | |