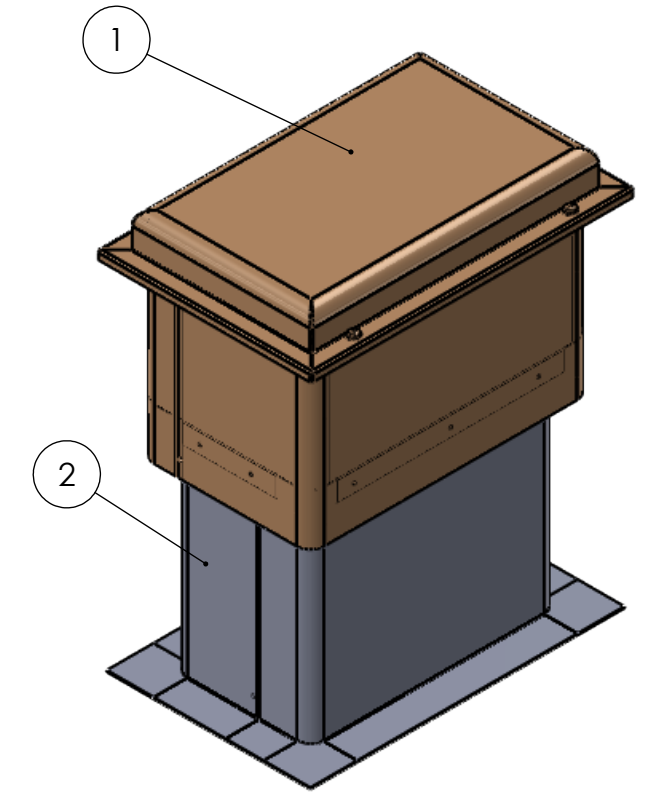
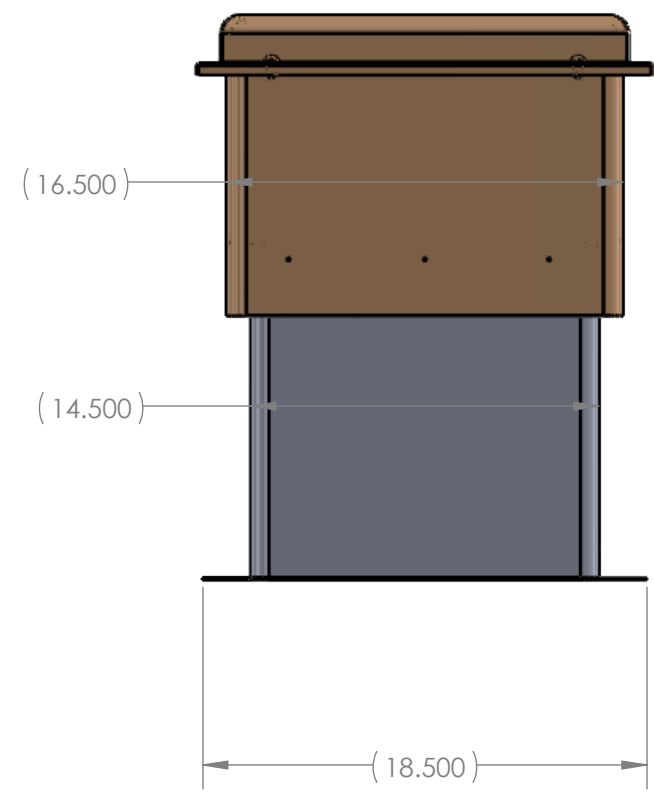
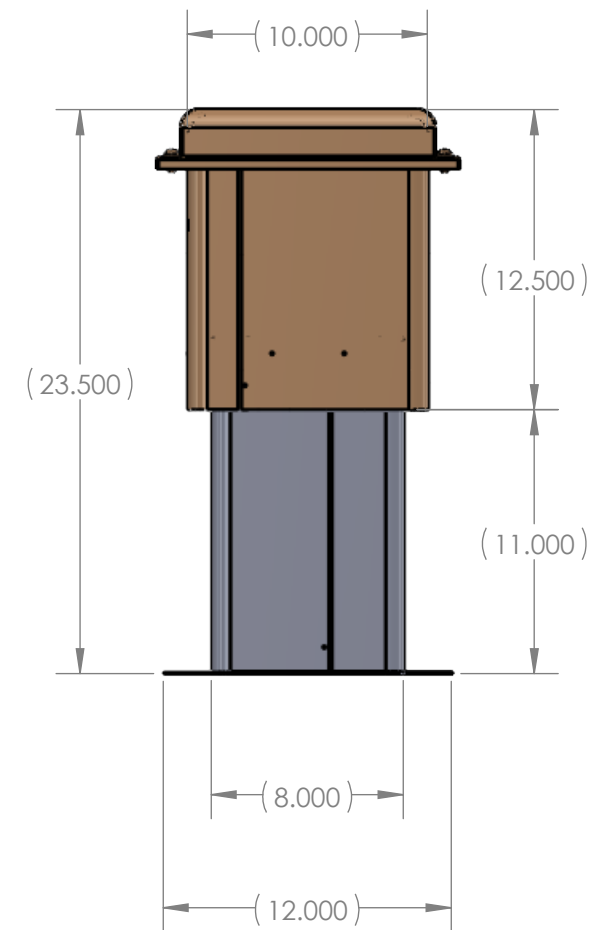
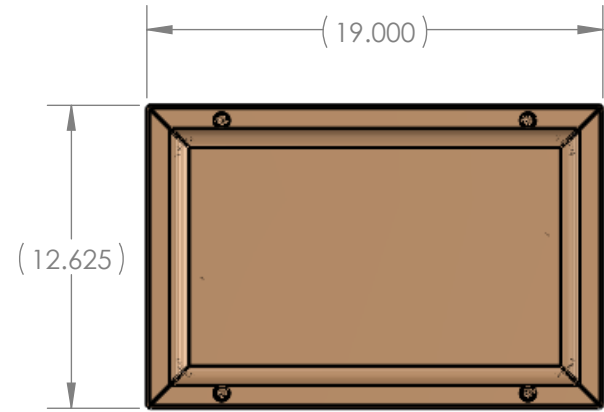


REVISIONS				
ZONE	REV.	DESCRIPTION	DATE	APPROVED



ITEM NO.	NOMENCLATURE	PART NUMBER	QTY.
1	SMALL HOUSING	AL-161010	1
2	SMALL 14" TALL CURB	AL-158C	1

DRAWN	RS	4/24/17	PROJECT TITLE: SMALL PIPE CHASE HOUSING & CURB	
CHECKED			DESCRIPTION: SMALL PIPE CHASE HOUSING & CURB 14" TALL	
Q.A.			UNLESS OTHERWISE SPECIFIED INTERPRET DRAWING PER ASME Y14.5M-1994 DIMENSIONS ARE IN INCHES	
TOLERANCE ARE: FILLETS .003-.010 ✓ DECIMALS .003-.010 .XX ± .03 ANGLES ± 2° BREAK ALL SHARP EDGES .XXX ± .010			SIZE B	CUSTOMER NAME: ALTA PRODUCTS, LLC
DO NOT SCALE DRAWING			PART NO. TBD	WEIGHT N/A
			SHEET 1 OF 1	