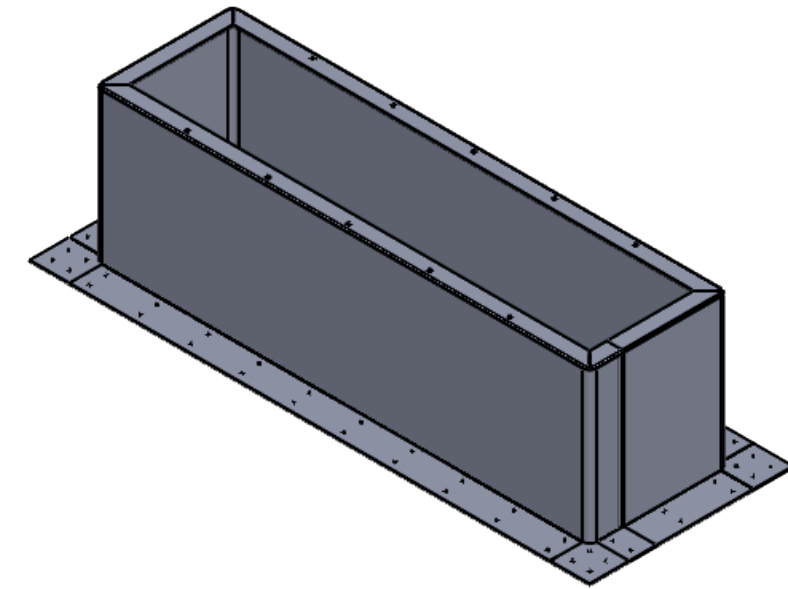
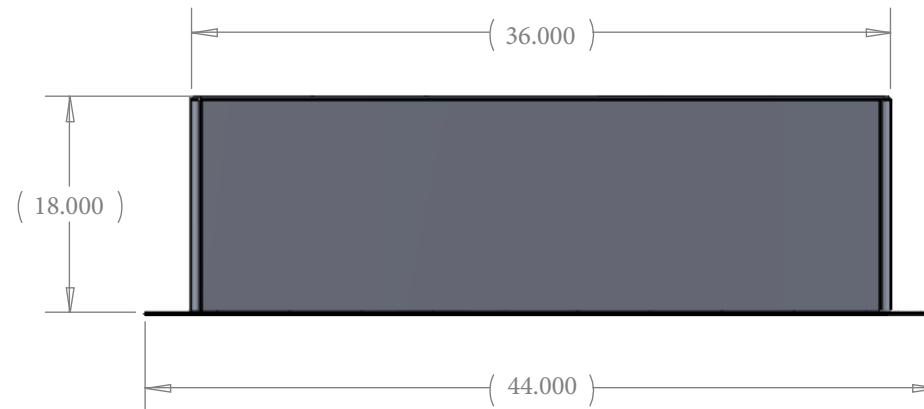
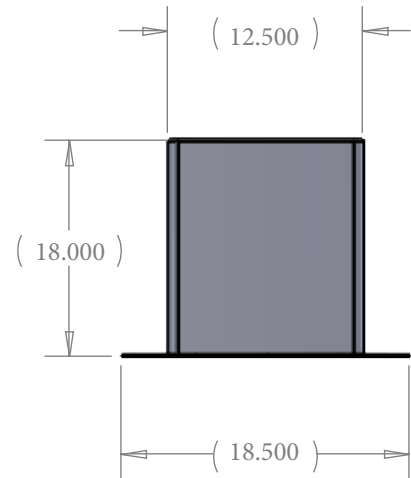


GENERAL NOTES:

- CURB TO BE FULLY INSULATED WITH STANDARD 1" THICK MATERIAL.

ITEM NO.	DESCRIPTION	PART NUMBER	MATERIAL	QTY.
1	Med Double Long 18" Curb	KH-3218C	.125" THICK ALUMINUM	1



	NAME	DATE	PROJECT TITLE:	
DRAWN	AP	9/19/23	Medium Double Long 18" Curb	
CHECKED			DESCRIPTION:	
Q.A.			CURB KH-3218C	
UNLESS OTHERWISE SPECIFIED <small>INTERPRET DRAWING PER ASME Y14.5M-1994 DIMENSIONS ARE IN INCHES</small>			SIZE	CUSTOMER NAME:
<small>TOLERANCE ARE: FILLETS .003-.010 $\sqrt{}$.XX ± .03 ANGLES ± 2° BREAK ALL SHARP EDGES .XXX ± .010 .003-.010</small>			B	ALTA PRODUCTS, LLC
DO NOT SCALE DRAWING			PART NO. TBD	WEIGHT N/A
			REV	0
			SHEET 1 OF 1	