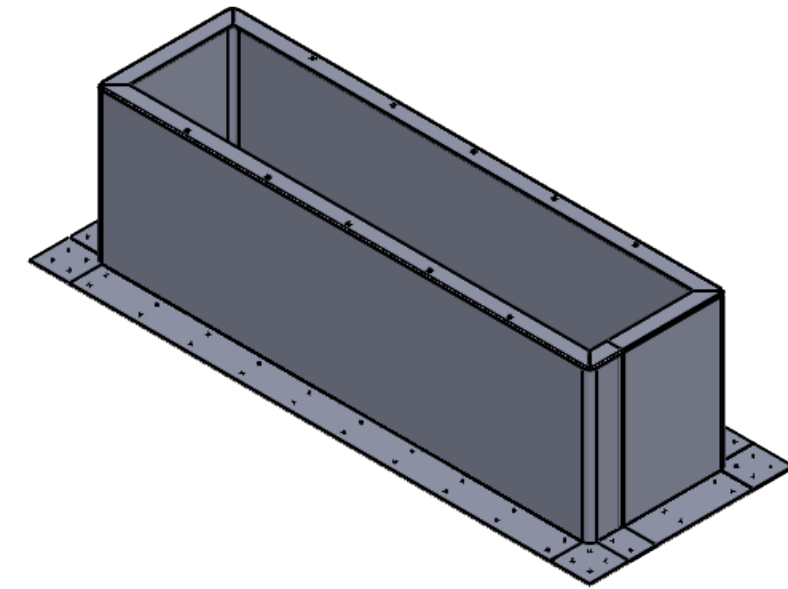
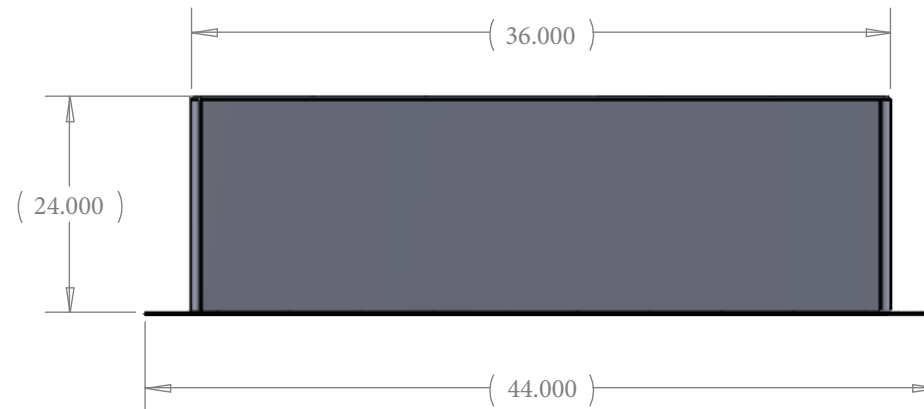
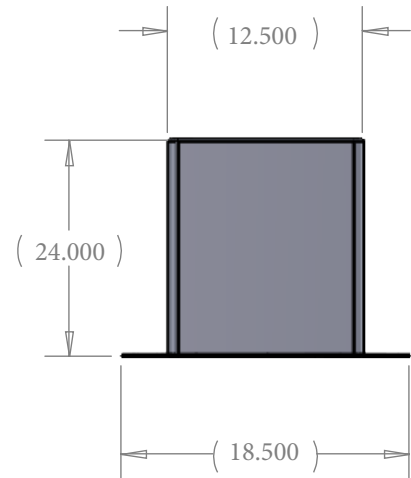


GENERAL NOTES:

- CURB TO BE FULLY INSULATED WITH STANDARD 1" THICK MATERIAL.

ITEM NO.	DESCRIPTION	PART NUMBER	MATERIAL	QTY.
1	Med Double Long 24" Curb	KH-3224C	.125" THICK ALUMINUM	1



	NAME	DATE	PROJECT TITLE:	
DRAWN	AP	9/19/23	Medium Double Long 24" Curb	
CHECKED			DESCRIPTION:	
Q.A.			CURB KH-3224C	
UNLESS OTHERWISE SPECIFIED			SIZE	CUSTOMER NAME:
INTERPRET DRAWING PER ASME Y14.5M-1994			B	ALTA PRODUCTS, LLC
DIMENSIONS ARE IN INCHES				REV
TOLERANCE ARE: FILLETS			PART NO.	WEIGHT
DECIMALS .003-.010			TBD	N/A
.XX ± .03			SHEET 1 OF 1	
.XXX ± .010			RATHA DESIGNS 2017	
DO NOT SCALE DRAWING				

ENGINEERING DRAWING