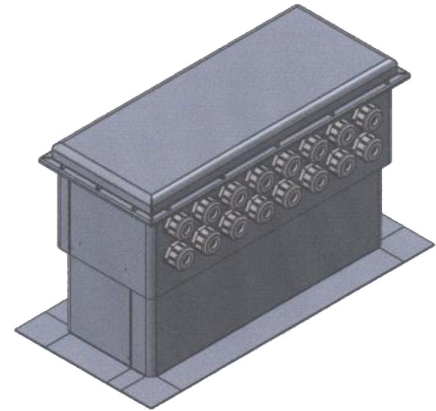


## Medium Double-long Pipe Chase Housing & 24" tall Curb

All dimensions are nominal and may be revised without notice



Model #	Description	Length	Width	Height	Weight
KH-32H	Housing - Medium Double-Long	38"	15"	14"	36 lbs
KH-3224C	24" tall Curb - Medium Double-Long	36"	13"	24"	28 lbs



### SPECIFICATIONS

#### Pipe Chase Housing

- .125" aluminum (Body and lid)
- UV protected powder coating - Housing only
- Full thermal break interior with gaskets and insulation
- Stainless steel fasteners
- Housing has 32 Exit Seal locater/starter dimples

#### Curb

- .125" aluminum - non finished exterior
- Full thermal break interior (Insulation pad)

#### Sigrist Exit Seal™

- Injection molded ABS - Schedule-80 performance
- Color: White
- Sizes: 11 pathway sizes (1/4" through 1 5/8" OD line sizes)

#### Size: Medium Double-Long Pipe Chase Housing & Curb

Shown above with 16 Sigrist Exit Seals™ installed (Sigrist Exit Seals™ available in sizes 1/4" to 1 5/8" OD)

Max. number of Sigrist Exit Seals™ is 32. (16 Exit Seals per front and back surface)

**Note:** Overall height of the Pipe Chase Housing mounted on top of our Curb is a 3" less than the total of the two heights due to the skirt/overlap from the Pipe Chase Housing down over the top of the curb is 3".

\*\*\* Dimensions are nominal and may be revised without notice

