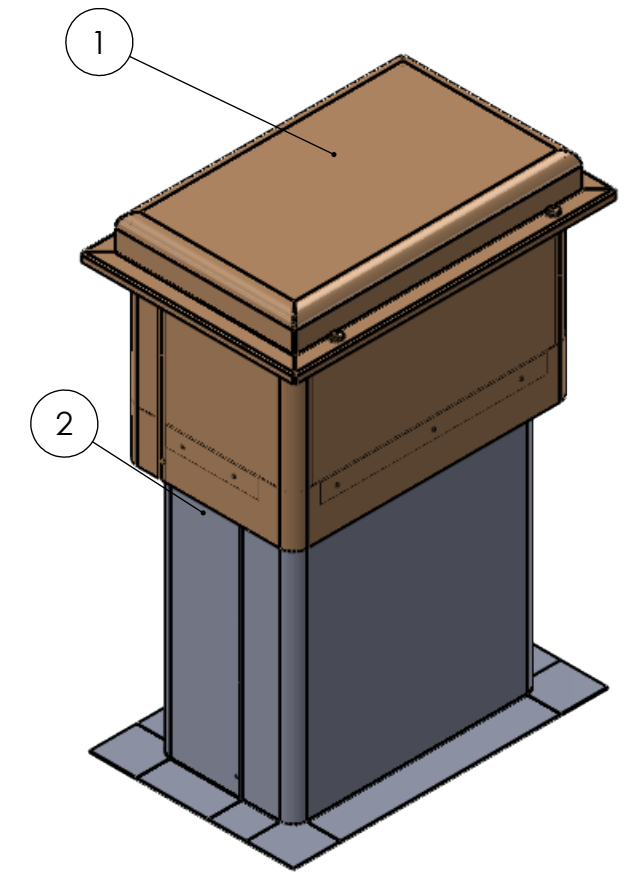
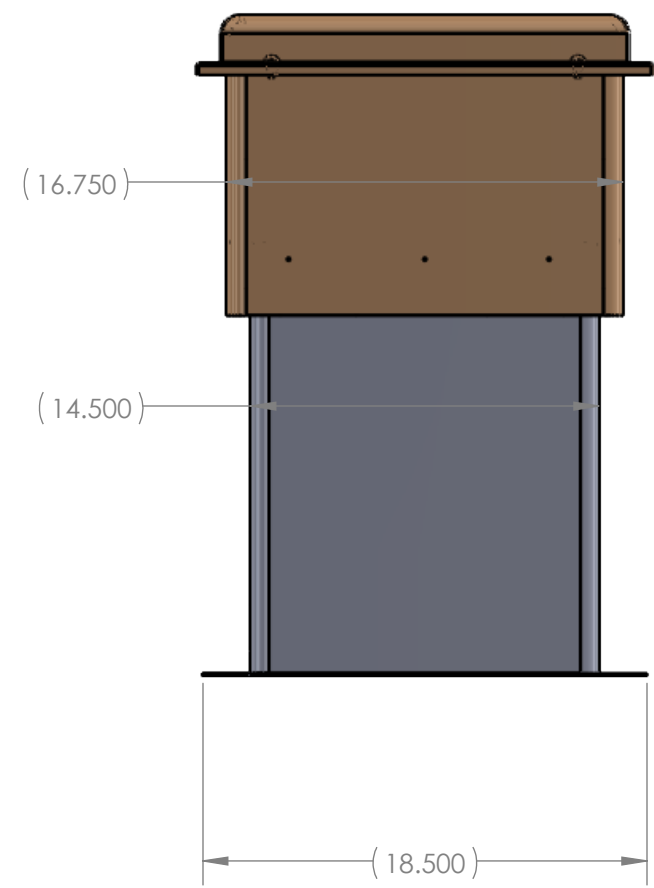
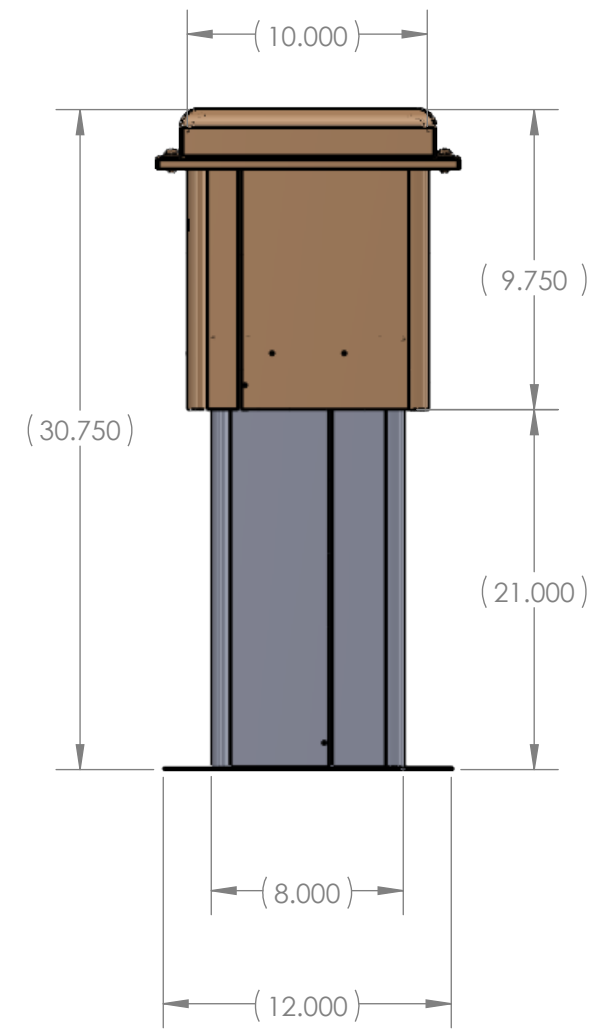
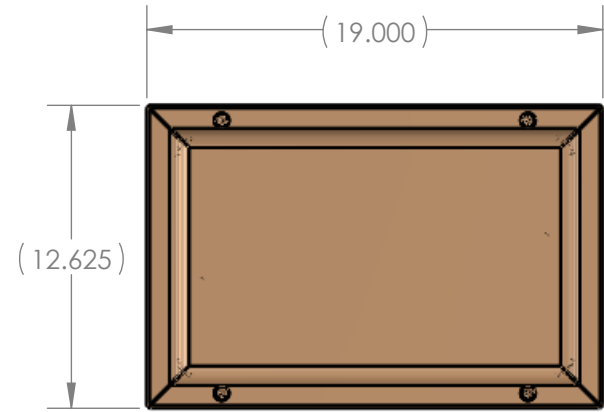


REVISIONS				
ZONE	REV.	DESCRIPTION	DATE	APPROVED



ITEM NO.	PART NUMBER	NOMENCLATURE	QTY.
1	AL-161010	SMALL HOUSING	1
2	ALTC-S24	SMALL 24" TALL CURB	1

DRAWN	NAME: RS/AP	DATE: 2/27/25	PROJECT TITLE: SMALL PIPE CHASE HOUSING & CURB	
CHECKED			DESCRIPTION: SMALL PIPE CHASE HOUSING & CURB 24" TALL	
Q.A.			SIZE: B	
UNLESS OTHERWISE SPECIFIED <small>INTERPRET DRAWING PER ASME Y14.5M-1994</small> <small>DIMENSIONS ARE IN INCHES</small>			CUSTOMER NAME: ALTA PRODUCTS, LLC	REV: 1
TOLERANCE ARE: FILLETS .003-.010 ✓ DECIMALS .003-.010 .XX ± .03 ANGLES ± 2° BREAK ALL SHARP EDGES .XXX ± .010 DO NOT SCALE DRAWING			PART NO. TBD	WEIGHT N/A
			SHEET 1 OF 1	

ENGINEERING DRAWING