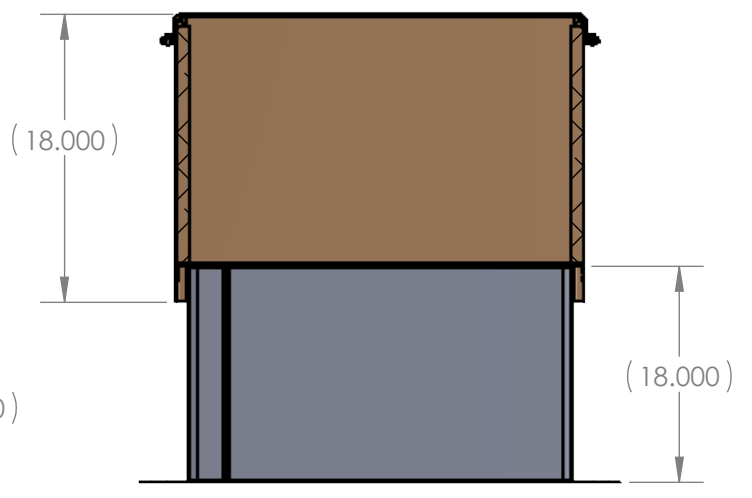
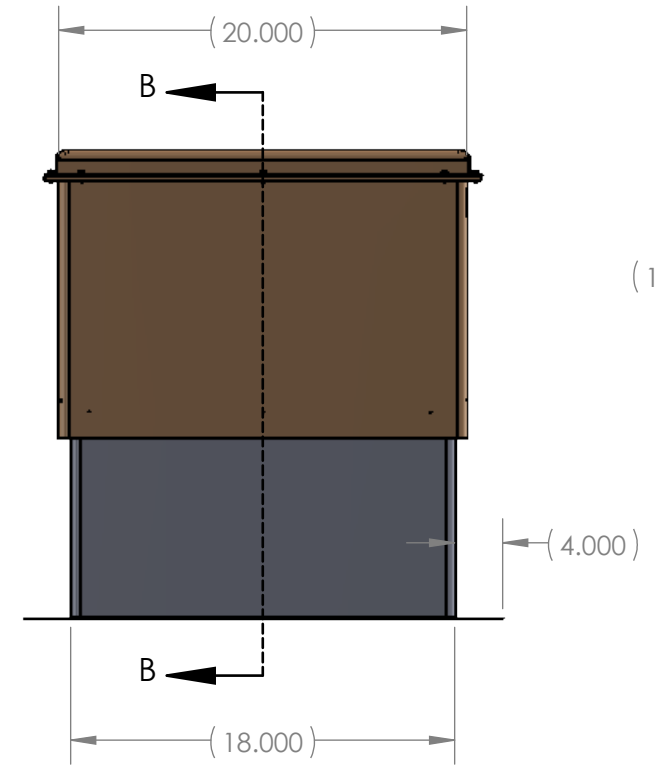
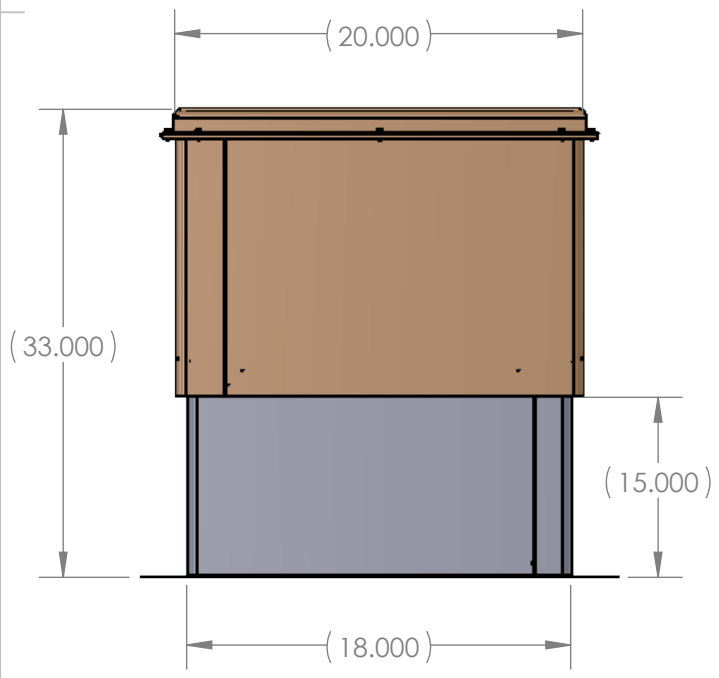
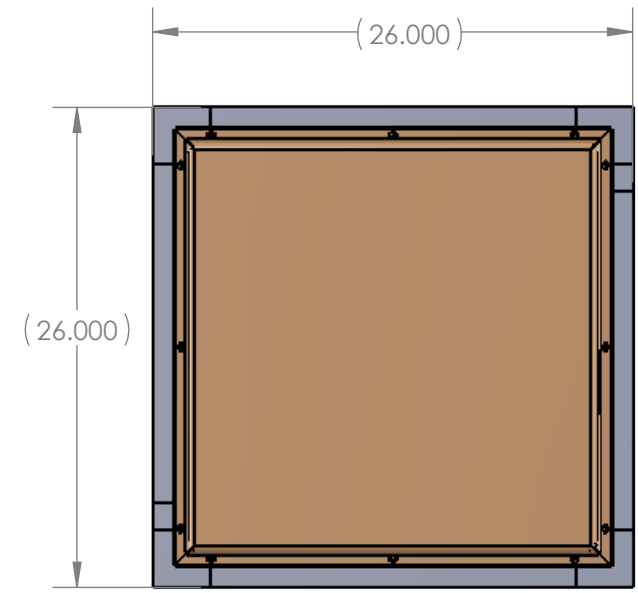
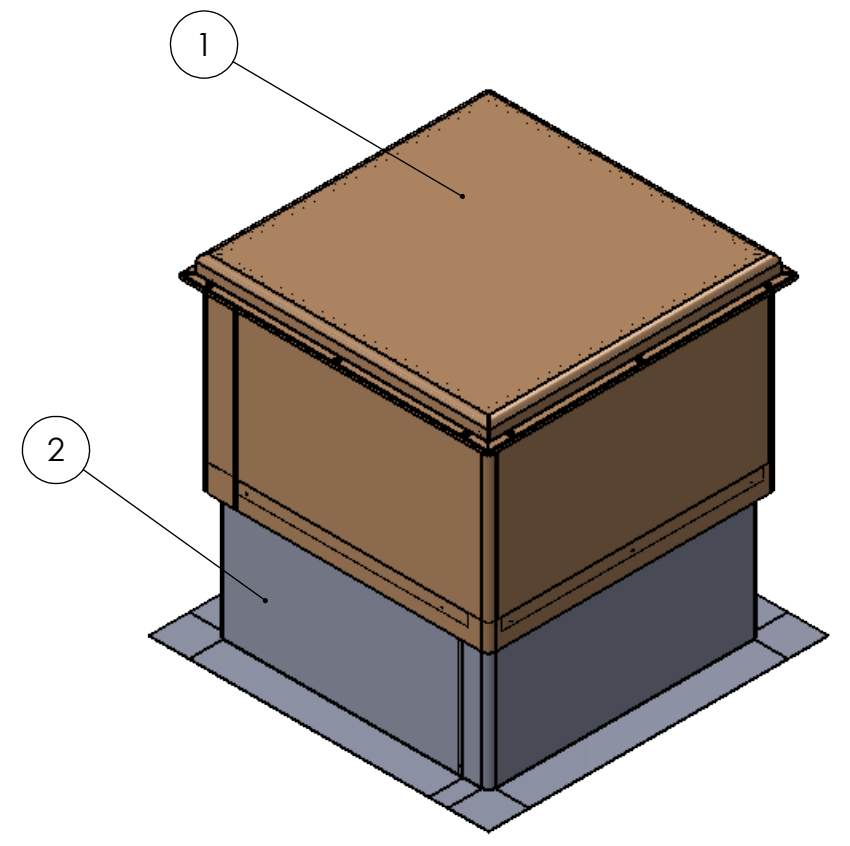


REVISIONS				
ZONE	REV.	DESCRIPTION	DATE	APPROVED



SECTION B-B
SCALE 1 : 16



ITEM NO.	NOMENCLATURE	PART NUMBER	QTY.
1	Medium Next Gen HOUSING	AL-202018	1
2	Medium Next Gen CURB 18" TALL	ALTC-MNG18	1

DRAWN	RS/AP	DATE	3/3/25	PROJECT TITLE:	Medium Next Gen HOUSING & CURB 18" TALL		
CHECKED				DESCRIPTION:	Medium Next Gen HOUSING & CURB 18" TALL		
Q.A.				UNLESS OTHERWISE SPECIFIED <small>INTERPRET DRAWING PER ASME Y14.5M-1994</small> <small>DIMENSIONS ARE IN INCHES</small>			
TOLERANCE ARE:			FILLETS				
DECIMALS			$.003-.010$	✓			
.XX ± .03			ANGLES	BREAK ALL			
.XXX ± .010			± 2°	SHARP EDGES			
DO NOT SCALE DRAWING			$.003-.010$				
SIZE	B	CUSTOMER NAME:	ALTA PRODUCTS, LLC	REV	0		
PART NO.	TBD	WEIGHT	N/A	SHEET 1 OF 1			