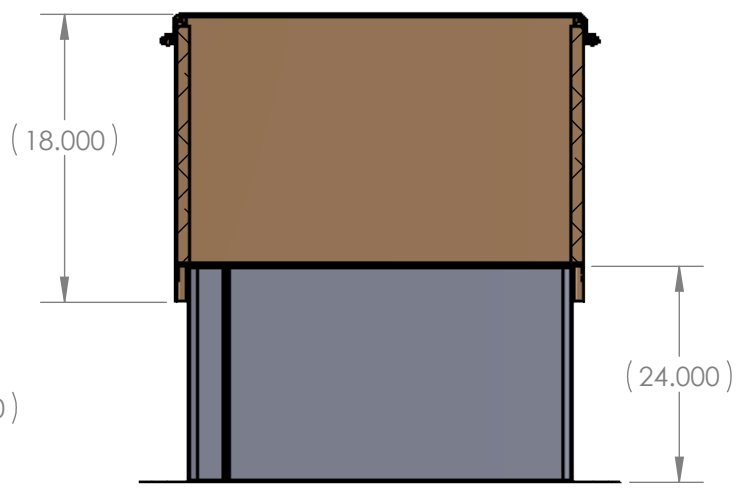
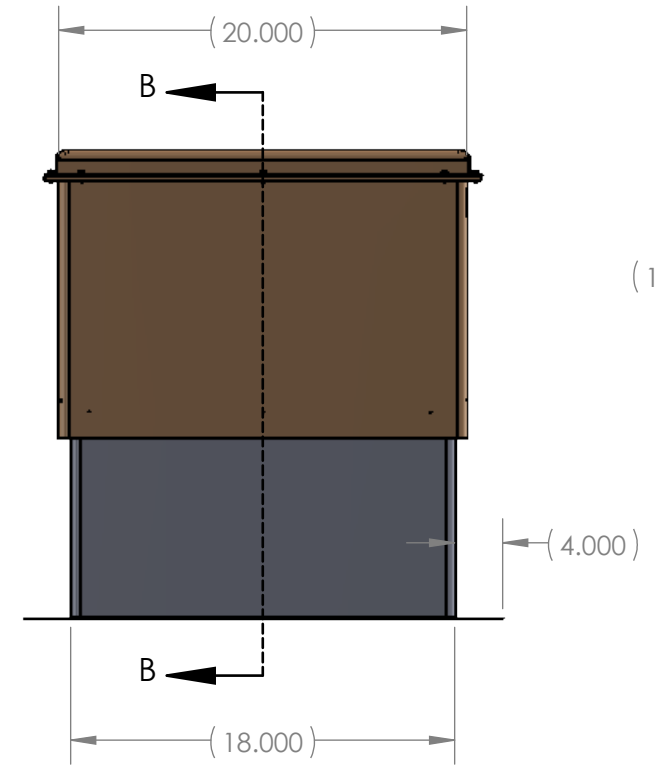
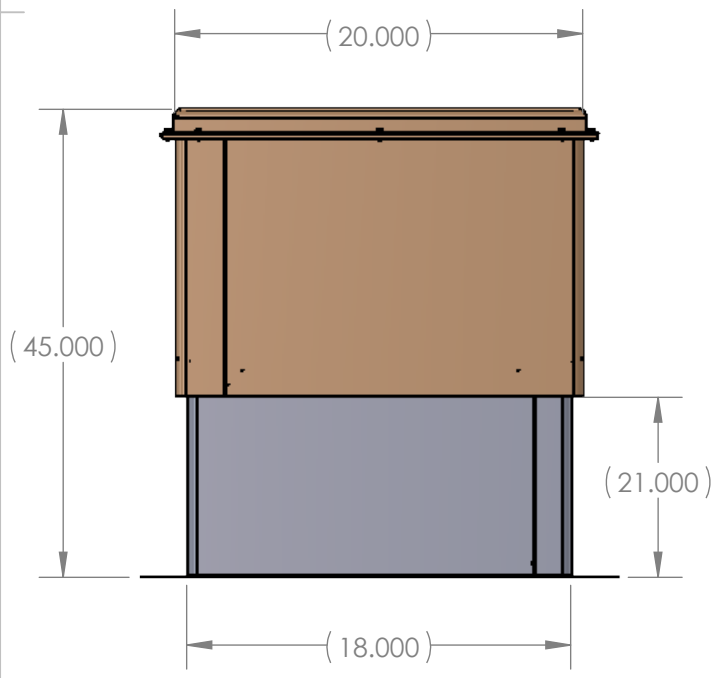
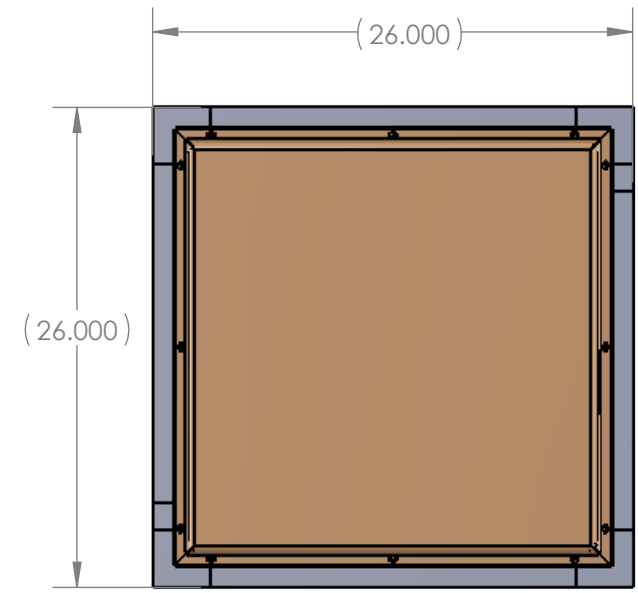
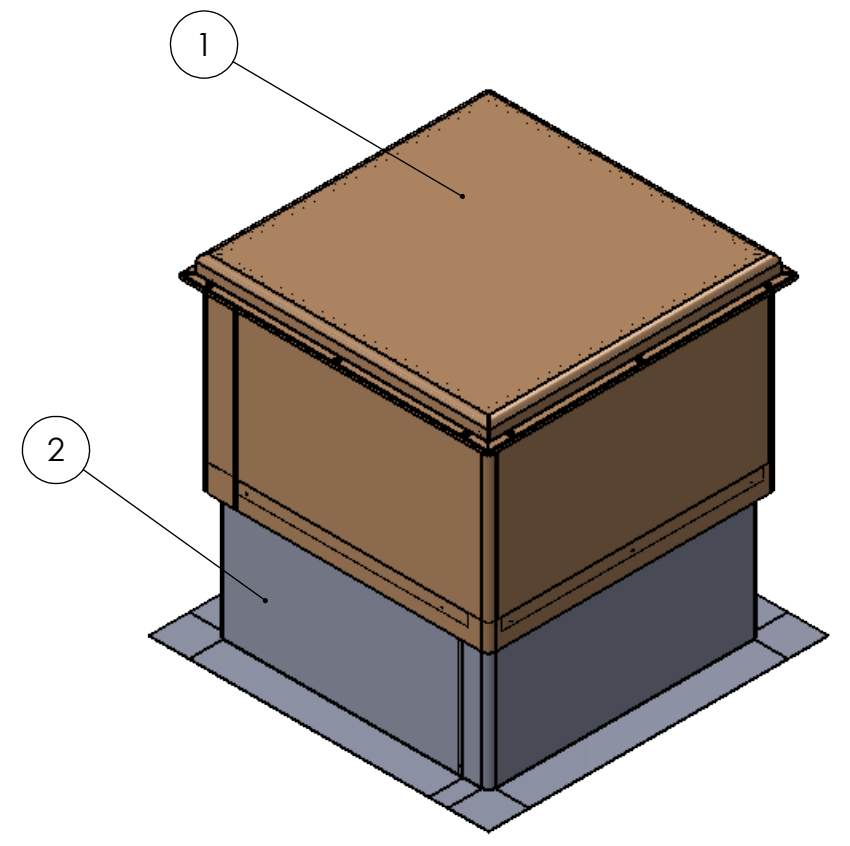


REVISIONS				
ZONE	REV.	DESCRIPTION	DATE	APPROVED



SECTION B-B  
SCALE 1 : 16



ITEM NO.	NOMENCLATURE	PART NUMBER	QTY.
1	Medium Next Gen HOUSING	AL-202018	1
2	Medium Next Gen CURB 24" TALL	ALTC-MNG24	1

DRAWN	RS/AP	DATE	3/3/25	PROJECT TITLE:	Medium Next Gen HOUSING & CURB 24" TALL		
CHECKED				DESCRIPTION:	Medium Next Gen HOUSING & CURB 24" TALL		
Q.A.				<b>UNLESS OTHERWISE SPECIFIED</b> <small>INTERPRET DRAWING PER ASME Y14.5M-1994</small> <small>DIMENSIONS ARE IN INCHES</small>			
TOLERANCE ARE:			FILLETS	63/	SIZE	CUSTOMER NAME:	REV
DECIMALS			.003-.010	✓	<b>B</b>	ALTA PRODUCTS, LLC	0
.XX ± .03			ANGLES	± 2°	PART NO. TBD		
.XXX ± .010			BREAK ALL SHARP EDGES		WEIGHT N/A		
DO NOT SCALE DRAWING			.003-.010		SHEET 1 OF 1		